

(12) UK Patent Application (19) GB (11) 2 194 728 (13) A

(43) Application published 16 Mar 1988

(21) Application No 8531582

(22) Date of filing 23 Dec 1985

(71) Applicants

Gary Martin Foy,  
24 Hawthorne Road, Hoddesdon, Hertfordshire.

Merril Sinclair Byrne,  
446 Baker Street, Enfield, Middx EN1 3QU

(72) Inventors

Gary Martin Foy  
Merril Sinclair Byrne

(74) Agent and/or Address for Service

G. M. Foy,  
24 Hawthorne Road, Hoddesdon, Herts

(51) INT CL<sup>4</sup>

A46B 11/02

(52) Domestic classification (Edition J):

A4K 157 158 161 168 176 BA  
U1S 1125 A4K

(56) Documents cited

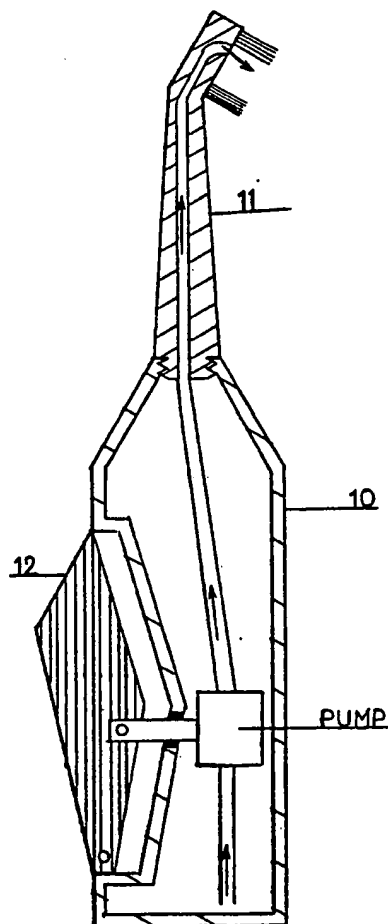
GB 1257353	GB 0913371	GB 0381842
GB 1210813	GB 0889139	GB 0295158
GB 1028984	GB 0469793	EP A 0193299
GB 0932105	GB 0419023	

(58) Field of search

A4K  
Selected US specifications from IPC sub-class A46B

(54) Handpump  
mouthwash/toothbrush unit

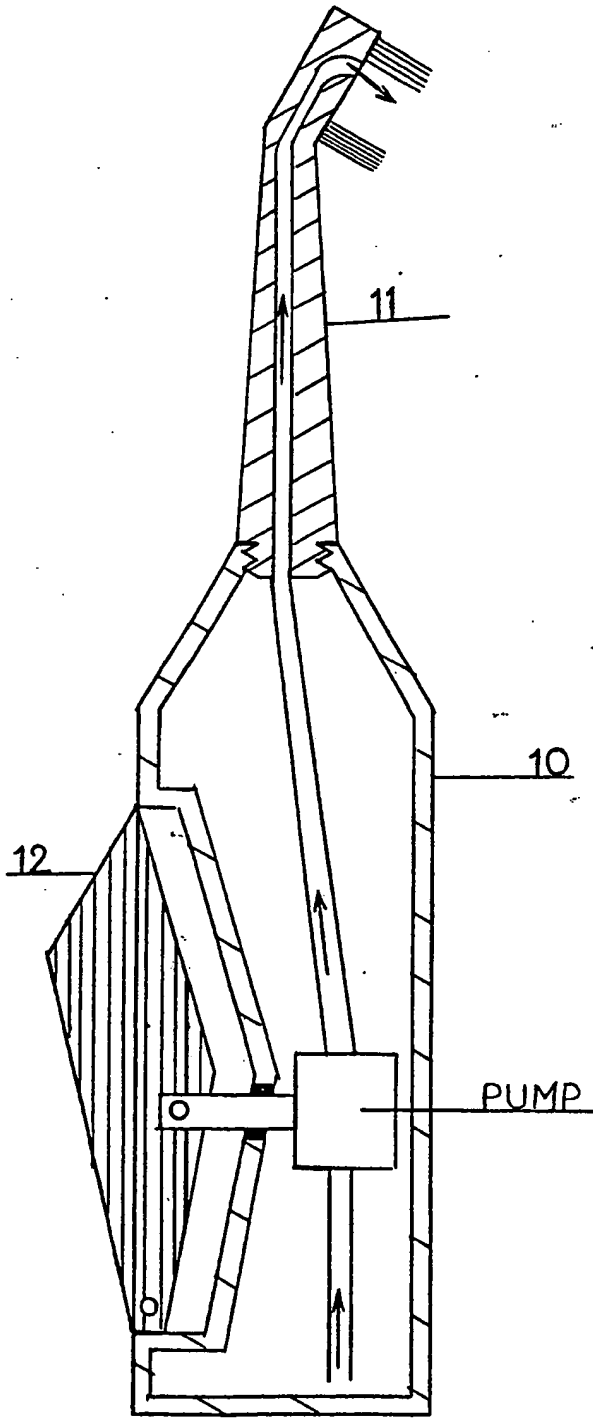
(57) A handpump mouthwash/toothbrush unit comprises a canister body (10) with pump and tube operated by trigger device (12) with a toothbrush or similar device (11) connected to the canister body by a screw thread or similar means. The mouthwash liquid is forced through a jet located in the top of the toothbrush or other device such as an atomiser, jet cleaner or tooth pick, which can be used as required for individual needs.



GB 2 194 728 A

1/4

FIG 2



2191728

2/4

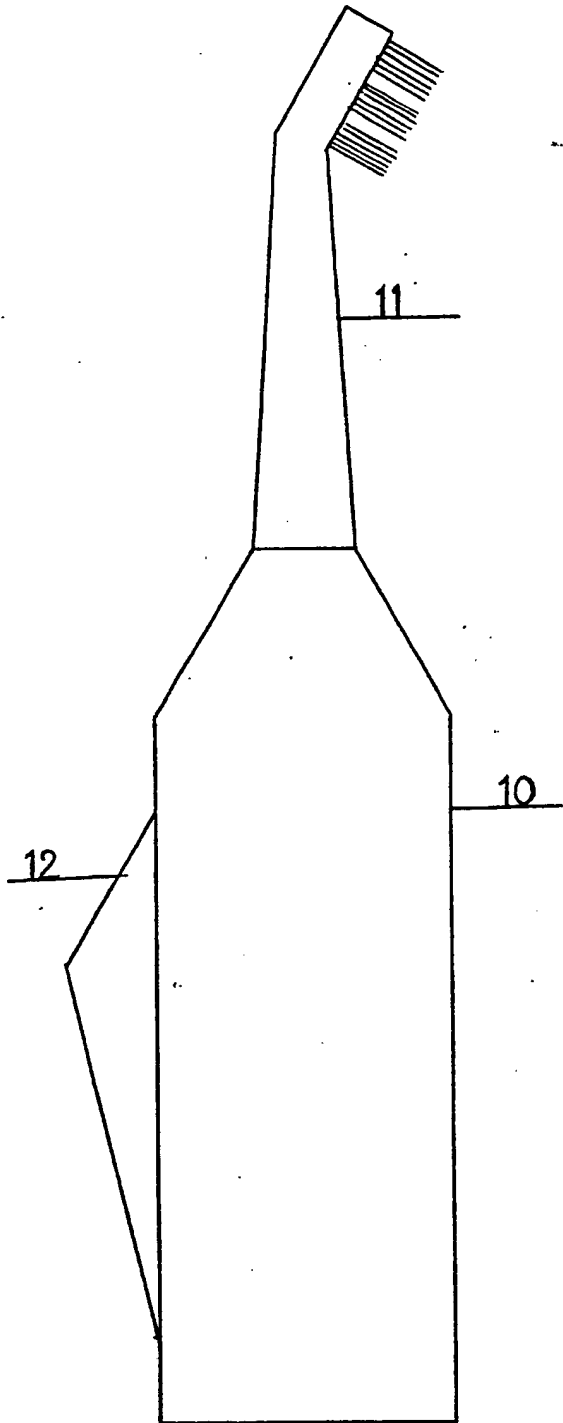


FIG 1

3/4

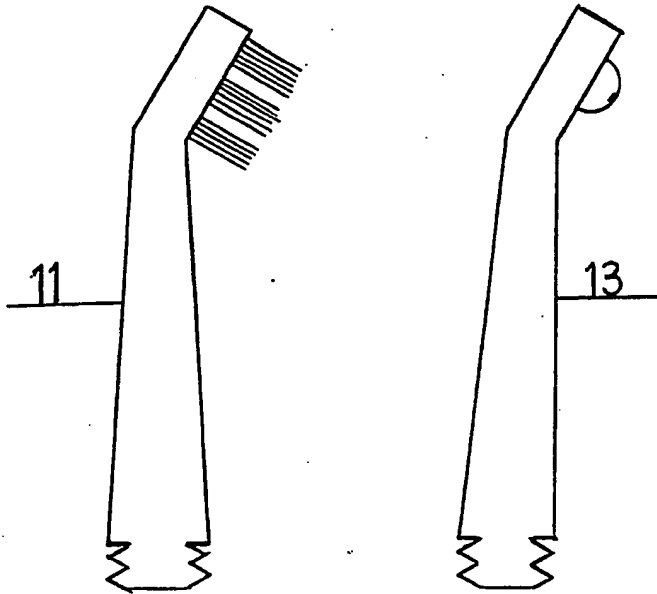
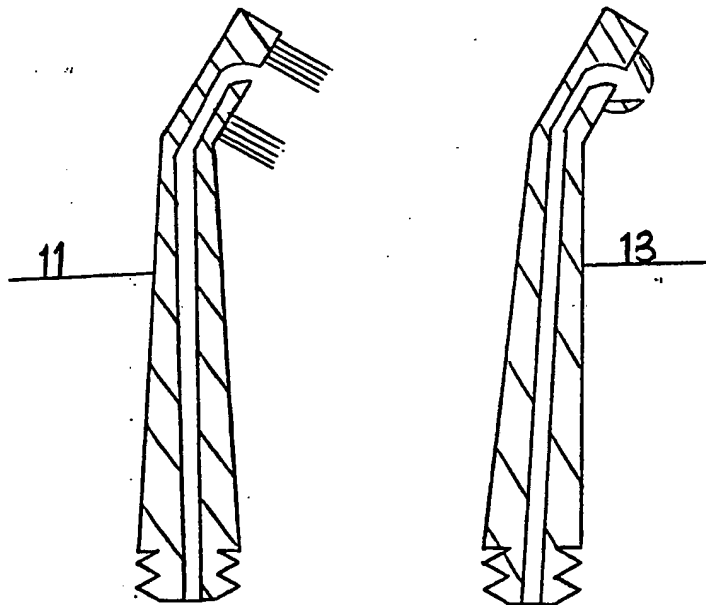


FIG 3



4/4

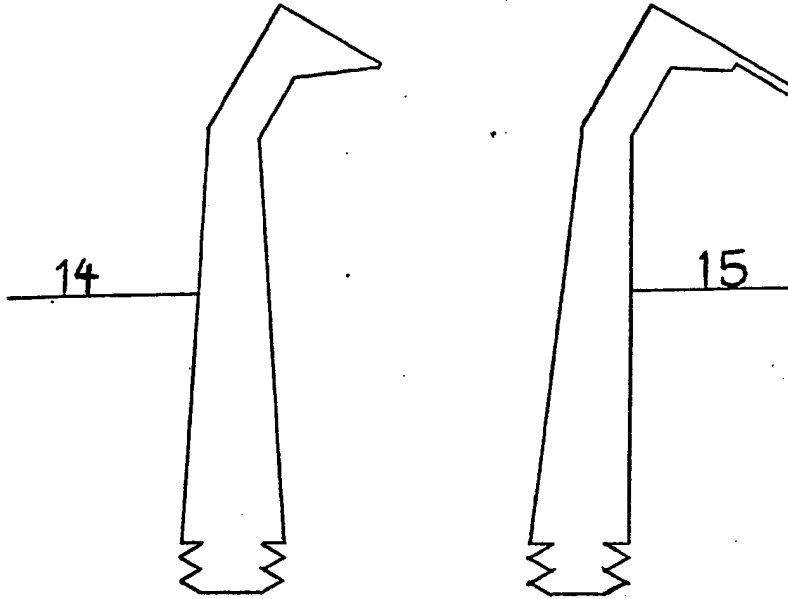
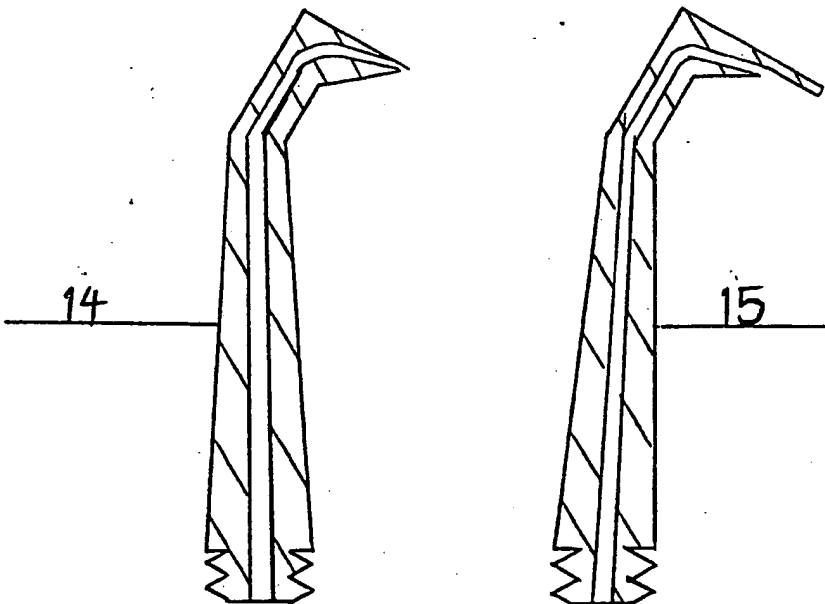


FIG 4



**SPECIFICATION****Hand pump mouthwash toothbrush unit**

- 5 What with the importance of oral hygiene. Oral hygiene at present been served by the use of Toothbrush, Tooth pick, mouthwash and like.
- The Hand Pump Mouthwash Toothbrush
- 10 Unit will become an additional product towards oral hygiene.

Published 1988 at The Patent Office, State House, 66/71 High Holborn, London WC1R 4TP. Further copies may be obtained from The Patent Office, Sales Branch, St Mary Cray, Orpington, Kent BR5 3RD. Printed by Burgess & Son (Abingdon) Ltd. Con. 1/87.